

Transair[®] powered by SCOUT[™] Technology

Wireless Compressed Air System Condition Monitoring



ENGINEERING YOUR SUCCESS.



Advanced Compressed Air System Condition Monitoring

Having accurate, timely readings on the performance of your compressed air piping system can mean the difference between identifying a problem before it occurs, or incurring added costs for equipment repairs...not to mention lost revenue.

Transair powered by SCOUT Technology helps you keep your system healthy and operating efficiently. SCOUT consists of a wide range of sensors that provide consistent and accurate readings for pressure, temperature, humidity, power, and flow. The system collects data so you can take the necessary steps to optimize your compressed air equipment and your system's performance. The easy-to-use web-based interface also alerts the user to unexpected conditions that may damage components and equipment over time.

SCOUT Technology puts vital information and analytics in the palm of your hand to ensure your compressed air system is running at optimum levels. Let SCOUT Technology MONITOR your Transair compressed air piping system, ALERT you to system changes, and provide DATA that helps reduce downtime and increase productivity.

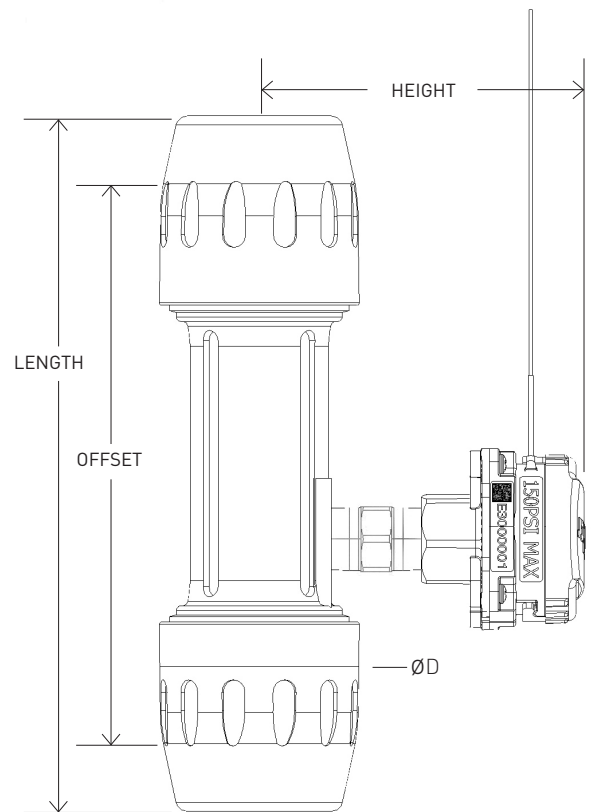
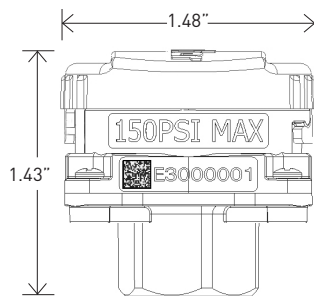
SCOUT Hardware

Pressure • Temperature • Humidity



Features:

- For commonly used pressure range of 0 to 150 psi
- User-definable measurement units in software
- Ports: 1/4" female NPTF
- Corrosion-resistant materials for challenging environments



SENSOR TECHNICAL INFORMATION

PRESSURE RANGE	0 TO 150 PSI
BURST PRESSURE	4x
TEMPERATURE RANGE	-4°F TO 167°F
BODY MATERIAL	ACETAL
BODY SEALS	NITRILE
WETTED MATERIALS	ACETAL, NITRILE, SILICONE
CERTIFICATIONS	FCC
BATTERY	CR2450 (Panasonic® suggested brand)
IP RATING (INGRESS PROTECTION)	IP65
PORT	1/4" FEMALE NPTF
SCAN AND TRANSMIT RATE	5 SECONDS TO VARIABLE RATE

ASSEMBLY NOMENCLATURE

EXAMPLE:	
6676 25 00 PT	ATTRIBUTE
6676 25 00	BASE FITTING PN
PT	TYPE OF SENSOR

SCOUT Hardware

Pressure • Temperature • Humidity

PRESSURE

Operating Range: 0 to 150 PSI

Accuracy (Best Fit Straight Line, -40°F to 176°F): 0.75%

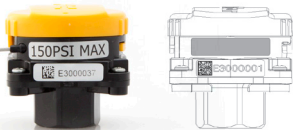
Resolution (at 77°F): 0.03 PSI

Total Error Band (0 to 50 PSI): 2%

Sensor only

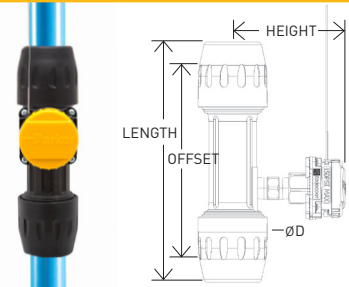
Part Number

SNPT-10-2-4FP-KY



Pipe-to-pipe connector with sensor

PART NUMBER	ØD		LENGTH		OFFSET		HEIGHT	
	inch	mm	inch	mm	inch	mm	inch	mm
6676 25 00 PT	1.0	25	5.96	151.5	3.78	96.0	3.0	76.2
6676 40 00 PT	1.6	40	8.07	205.5	4.49	114.0	3.4	86.4
6676 50 00 PT	2.0	50	6.93	171.0	1.97	50.0	3.6	92.5
6676 63 00 PT	2.5	63	6.75	171.5	1.97	50.0	3.9	99.1



HUMIDITY

Operating Range: 0 to 100% Relative Humidity (RH)

Accuracy (77°F, 20% RH to 80% RH, at Ambient Pressure): ±5% RH Max

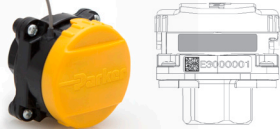
Resolution (at 77°F): 0.1% RH

Response Time: 10 Seconds

Sensor only

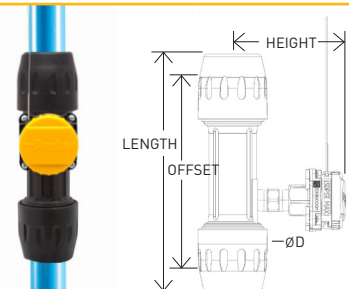
Part Number

SNHT-10-2-4FP-KY



Pipe-to-pipe connector with sensor

PART NUMBER	ØD		LENGTH		OFFSET		HEIGHT	
	inch	mm	inch	mm	inch	mm	inch	mm
6676 25 00 HT	1.0	25	5.96	151.5	3.78	96.0	3.0	76.2
6676 40 00 HT	1.6	40	8.07	205.0	4.49	114.0	3.4	86.4
6676 50 00 HT	2.0	50	6.73	171.0	1.97	50.0	3.6	92.5
6676 63 00 HT	2.5	63	6.75	171.5	1.97	50.0	3.9	99.1



TEMPERATURE

Fluid Temperature Range: 14°F to 185°F

Accuracy (77°F): ±2.5%

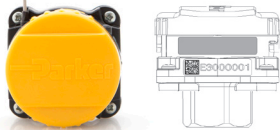
Resolution (14°F to 120°F): 1°F

Response Time: 10 Seconds

Sensor only

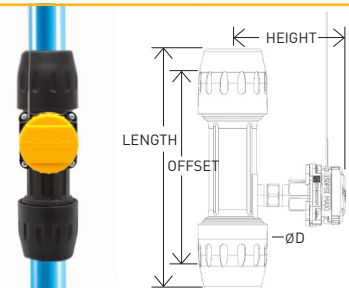
Part Number

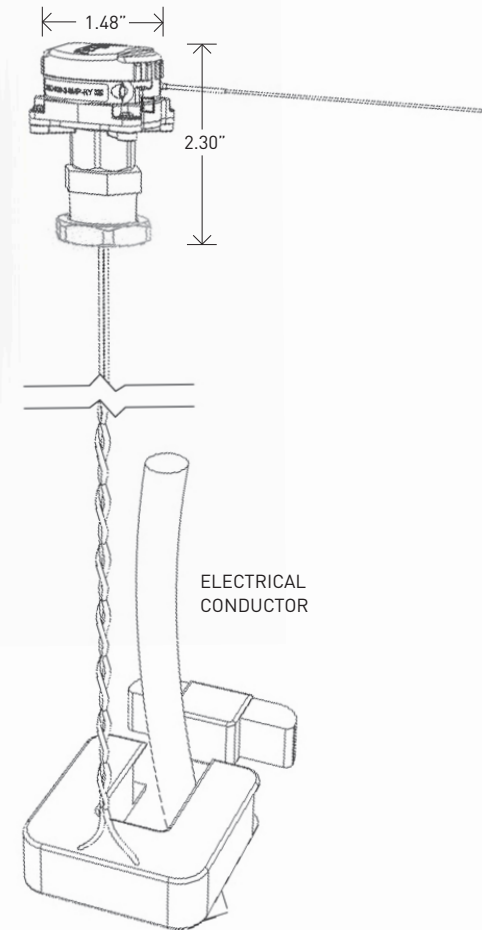
SNT-10-2-4FP-KY



Pipe-to-pipe connector with sensor

PART NUMBER	ØD		LENGTH		OFFSET		HEIGHT	
	inch	mm	inch	mm	inch	mm	inch	mm
6676 25 00 T	1.0	25	5.96	151.5	3.78	96.0	3.0	76.2
6676 40 00 T	1.6	40	8.07	205.0	4.49	114.0	3.4	86.4
6676 50 00 T	2.0	50	6.73	171.0	1.97	50.0	3.6	92.5
6676 63 00 T	2.5	63	6.75	171.5	1.97	50.0	3.9	99.1





POWER MONITORING

- Software Inputs: Voltage and Number of Phases
- Maximum Voltage: 600V (on Bare Conductor)
- Operating Frequency Range: 50 Hz to 400 Hz
- Current Linearity Accuracy: $\pm 1\%$ (10% to 130% of Rated Current)
- Phase Angle Offset: $< 2^\circ$ (Measured at Rated Current)
- Current Transformer Certifications: UL Recognized, CE and RoHS Compliant

TRANSMITTER WITH CURRENT TRANSFORMER

PART NUMBER	RATED CURRENT
SNC-050-2-8MP-KY	50 AMP
SNC-100-2-8MP-KY	100 AMP
SNC-150-2-8MP-KY	150 AMP
SNC-200-2-8MP-KY	200 AMP
SNC-250-2-8MP-KY	250 AMP
SNC-300-2-8MP-KY	300 AMP
SNC-400-2-8MP-KY	400 AMP
SNC-600-2-8MP-KY	600 AMP
SNC-800-2-8MP-KY	800 AMP

Features:

- User-definable measurement units in software
- Ports: $\frac{1}{2}$ " male npt thread with bulkhead nut for use with $\frac{7}{8}$ " knock out size
- Corrosion-resistant materials for challenging environments
- Split-core current transformer with $1\frac{1}{4}$ " opening for passing through existing electrical conductors
- 8-foot long twisted-pair current transformer lead wires with locking connector

TRANSMITTER TECHNICAL INFORMATION

TEMPERATURE RANGE	-4°F TO 167°F
BODY MATERIAL	ACETAL / BRASS (NUT)
CERTIFICATIONS	FCC
BATTERY	CR2450 (Panasonic® suggested brand)
IP RATING (INGRESS PROTECTION)	IP65
PORT	$\frac{1}{2}$ " MALE NPT w/BULKHEAD NUT
SCAN AND TRANSMIT RATE	5 SECONDS TO VARIABLE RATE

SCOUT Hardware

Flow

FLOW MONITORING

Accuracy: 6% of Measuring Range
 Response Time: 15 Seconds
 Maximum Relative Humidity: 95%

TEMPERATURE MONITORING

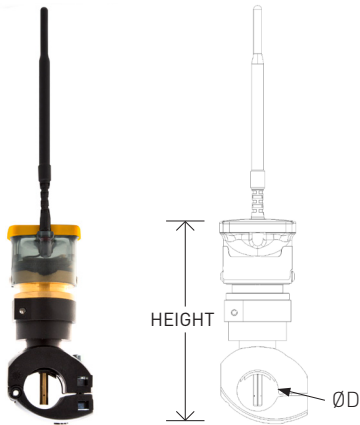
Accuracy: $\pm 1.8^{\circ}\text{F}$

PRESSURE MONITORING

Accuracy: ± 1.5 PSI

TECHNICAL INFORMATION

PRESSURE RANGE	0 TO 150 PSI
BURST PRESSURE	4x
TEMPERATURE RANGE	-4°F TO 167°F
BODY MATERIAL	POLYCARBONATE, BRASS
BODY SEALS	NITRILE
WETTED MATERIALS	BRASS, NITRILE, SILICONE
FULL RANGE CYCLES	>1 MILLION
CERTIFICATIONS	FCC
BATTERY	CR123A (Duracell® suggested brand)
IP RATING (INGRESS PROTECTION)	IP65
PORT	TRANSAIR REDUCING BRACKET
SCAN AND TRANSMIT RATE	15 SECONDS TO VARIABLE RATE

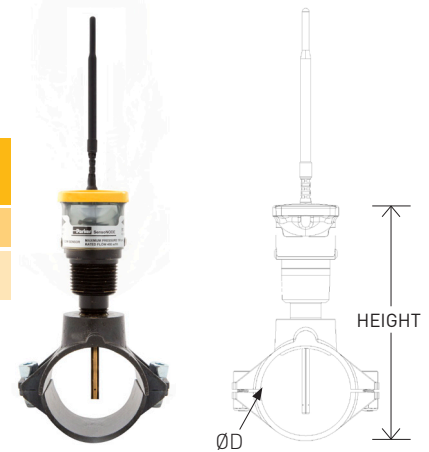


Simple reducing bracket with sensor

PART NUMBER	ØD		HEIGHT		MAXIMUM CALIBRATED MEASUREMENT RANGE		
	inch	mm	inch	mm	SCFM	Nm³/h	NI/min
RA69 25 FL	1.0	25	4.9	124.0	60	102	1 699
RA69 40 FL	1.6	40	5.4	137.4	200	340	5 663
RA98 50 FL	2.0	50	6.0	152.4	300	510	8 495

Simple reducing bracket with sensor

PART NUMBER	ØD		HEIGHT		MAXIMUM CALIBRATED MEASUREMENT RANGE		
	inch	mm	inch	mm	SCFM	Nm³/h	NI/min
EA98 63 FL	2.5	63	6.5	165.9	400	680	11 327



Simple reducing bracket with sensor

PART NUMBER	ØD		HEIGHT		MAXIMUM CALIBRATED MEASUREMENT RANGE		
	inch	mm	inch	mm	SCFM	Nm³/h	NI/min
RR63 98 L1 FL	3.0	76	7.3	184.4	600	1 020	16 990
RR63 98 L3 FL	4.0	100	8.7	219.7	1 100	1 701	28 317



SCOUT Hardware

Communication

Features

- Wireless star topology with sensor nodes communicating directly to primary receiver node (PRN)
- PRN connected to collection server via USB 2.0 port
- Wireless signal strength and battery voltage reported in software
- Data buffer storage for communication interruptions
- Data transmission to the cloud through wireless, ethernet or cellular options

TECHNICAL INFORMATION

WIRELESS FREQUENCY	902 TO 928MHz
TEMPERATURE RANGE	-4° TO 167°F
DATA UPLOAD RATE	60 SECONDS (DEFAULT) TO VARIABLE RATE
AC POWER INPUT	100 TO 240V ~ 1.8A, (50 TO 60Hz)
STANDARD EXTERNAL COMMUNICATION MODES	ETHERNET, WIRELESS



Collection Server

PART NUMBER	CELLULAR MODEM OPTIONS			
	ETHERNET	WIFI	CDMA	GPRS
SN-CS-1	✓	✓		
SN-CS-2	✓	✓	✓	
SN-CS-3	✓	✓		✓

Primary Receiver Node

Part Number

SNPRN-2



Optional Enclosure

Impact and corrosion-resistant polycarbonate enclosure with a NEMA 4X rating for indoor and outdoor use, non-hazardous dust, washdown, and splash applications
 Dimensions: 11" w x 15" d x 5" h

Part Number

SN-CS-EN



Collection Server-Mounting Kit

Corrosion-proof aluminum shelf with 1½" backsplash, pre-drilled gusset supports and two fasteners for long-lasting durability and dependability
 Dimensions: 24" w x 12" d

Part Number

SN-CS-MK

Parker Fluid Connectors Group

North American Divisions & Distribution Service Centers

Your complete source for quality tube fittings, hose & hose fittings, brass & composite fittings, quick-disconnect couplings, valves, and assembly tools, locally available from a worldwide network of authorized distributors.

Fittings:

Available in inch and metric sizes covering SAE, BSP, DIN, GAZ, JIS, and ISO thread configurations, manufactured from steel, stainless steel, brass, aluminum, nylon, and thermoplastic.

Hose, Tubing, and Bundles:

Available in a wide variety of sizes and materials including rubber, wire-reinforced, thermoplastic, hybrid and custom compounds.

Worldwide Availability:

Parker operates Fluid Connectors manufacturing locations and sales offices throughout North America, South America, Europe, and Asia-Pacific.

For information, call toll-free:

1-800-C-PARKER
(1-800-272-7537)

North American Divisions

Fluid System Connectors Division

Otsego, MI
phone 269 694 9411
fax 269 694 4614

Hose Products Division

Wickliffe, OH
phone 440 943 5700
fax 440 943 3129

Industrial Hose Division

Wickliffe, OH
phone 440 833 2120
fax 440 833 2230

Parflex Division

Ravenna, OH
phone 330 296 2871
fax 330 296 8433

Quick Coupling Division

Minneapolis, MN
phone 763 544 7781
fax 763 544 3418

Tube Fittings Division

Columbus, OH
phone 614 279 7070
fax 614 279 7685

Distribution Service Centers

Buena Park, CA

phone 714 522 8840
fax 714 994 1183

Conyers, GA

phone 770 929 0330
fax 770 929 0230

Louisville, KY

phone 502 937 1322
fax 502 937 4180

Portland, OR

phone 503 283 1020
fax 503 283 2201

Toledo, OH

phone 419 878 7000
fax 419 878 7001
fax 419 878 7420
(FCG Kit Operations)

Canada

Grimsby, ONT

phone 905 945 2274
fax 905 945 3945
(Contact Grimsby for other Service Center locations.)

